



OT-04FE-R GEAPON ONU with 4 Port Router:

The OT-04FE-R is a Telecom grade GEAPON Optical Network Unit (ONU) based on IEEE802.3ah Gigabit EPON Standard. It is an Integrated GEAPON ONU that comes with a 4 Port Router, which can be connected to IPTV Boxes, PCs and VoIP phones for deploying Triple Play services. It supports working together with any IEEE802.3ah based GEAPON OLTs.

The OT-04FE-R ONU support TR069 and Auto Provision for Internet Service Providers deploy remote management and maintenance for their devices. It is suitable to Small, Medium and Large ISPs, small/medium ISP can use Auto Provision for remote management, while Large ISP can use TR069 to work with their ACS server.

Equipped with a GePON SC WAN port, the OT-04FE-R offers a 1.25G high speed fiber optical connection to Subscriber' s house. It also comes with a 4 Port Wired Router with NAT and Firewall for Home high speed networking applications. It is a good option for ISPs (Internet Service Provider) deploy Internet, Voice and IPTV Service in Fiber To The Home applications.

Main Features:

- Offers 1 GePON SC port for uplinking to GePON OLT
- Ⓢ WDM technology (Upstream: 1310nm;Downstream: 1490nm),
- Ⓢ OLT and ONUs are connected with single fiber, the transmission distance can reach up to 20Km.
- Offers 4 Port 10/100Base-Tx for Home LAN connections
- Flexible Bandwidth Assigination:
 - Ⓢ For downstream, the OT-04FE-R share the bandwidth by encrypted broadcast method;
 - Ⓢ For upstream, the OT-04FE-R share the bandwidth by TDMA technology.
 - Ⓢ It supports auto speed adjustment, its lowest adjustable rate is 1Kbps.
- Support Multicast, end users can optionally apply for VOD, Video conferencing, etc.
- Binding with PC user name, MAC and IP address, preventing PC, user accounts from being hacked.
- Support multiple LLID and Single LLID configurations. Different users, different application can use different LLID access. Ensure the different QOS priorities for end user.
- Easy installation, Support local/remote management and provision. Applying with GEAPON OLT, the Gepon System can detect remote failures and indicate the location of the failure. Greatly saves your maintenance cost.

Hardware and Software Features:

- Fully Compatible with IEEE802.3ah Gigabit Epon Standard
- Offers 1 Gepon SC port for uplinking, 1.25Gbps
- Sensibility of Gepon Optical port: -2dBm to -27dBm
- Fiber Ratio: Different Fiber Ratio applies to different transmission distance, 1:64 MAX.
- Support 1.8Gbps Backplane bandwidth
- Offers 4 10/100Base-Tx LAN port for downlinking to User PC, VoIP Phone, IPTV Setup box

- **Built-in 4 Port Wired Router,**
- Ⓜ Comes with 4 10/100Base-Tx LAN ports
- Ⓜ Offers 1 USB host port
- Ⓜ Support DHCP, Static IP and PPPOE
- Ⓜ Support DHCP Server, DHCP Relay, DHCP Client
- Ⓜ Support Static Routing from source IP to destination IP
- Ⓜ Support firewall, NAT, NAPT, UPnP
- Ⓜ Support DDNS, DMZ Host, Port Forwarding
- Ⓜ Support ACL table based on MAC Accesses
- Ⓜ Support TR069 management for large Internet Service Providers deploy remote management and maintenance.
- Ⓜ Support FTP/TFTP/HTTP Auto Provision for small and medium ISP deploying remote management and maintenance.
- Ⓜ Support SNTP Simple Network Time Protocol
- Ⓜ Support Loop Detection to prevent Loop of network.
- Comes with live LED Indicators for working status, standby status, power, fiber Link, etc
- Desktop design, Plastic housing,
- External Power Supply,
- Ⓜ Impulse Power Supply, AC 96 – 260V, DC 12V, 1.5A
- Ⓜ Support Asia, Europe, U.S, U.K, AU standard power plugs

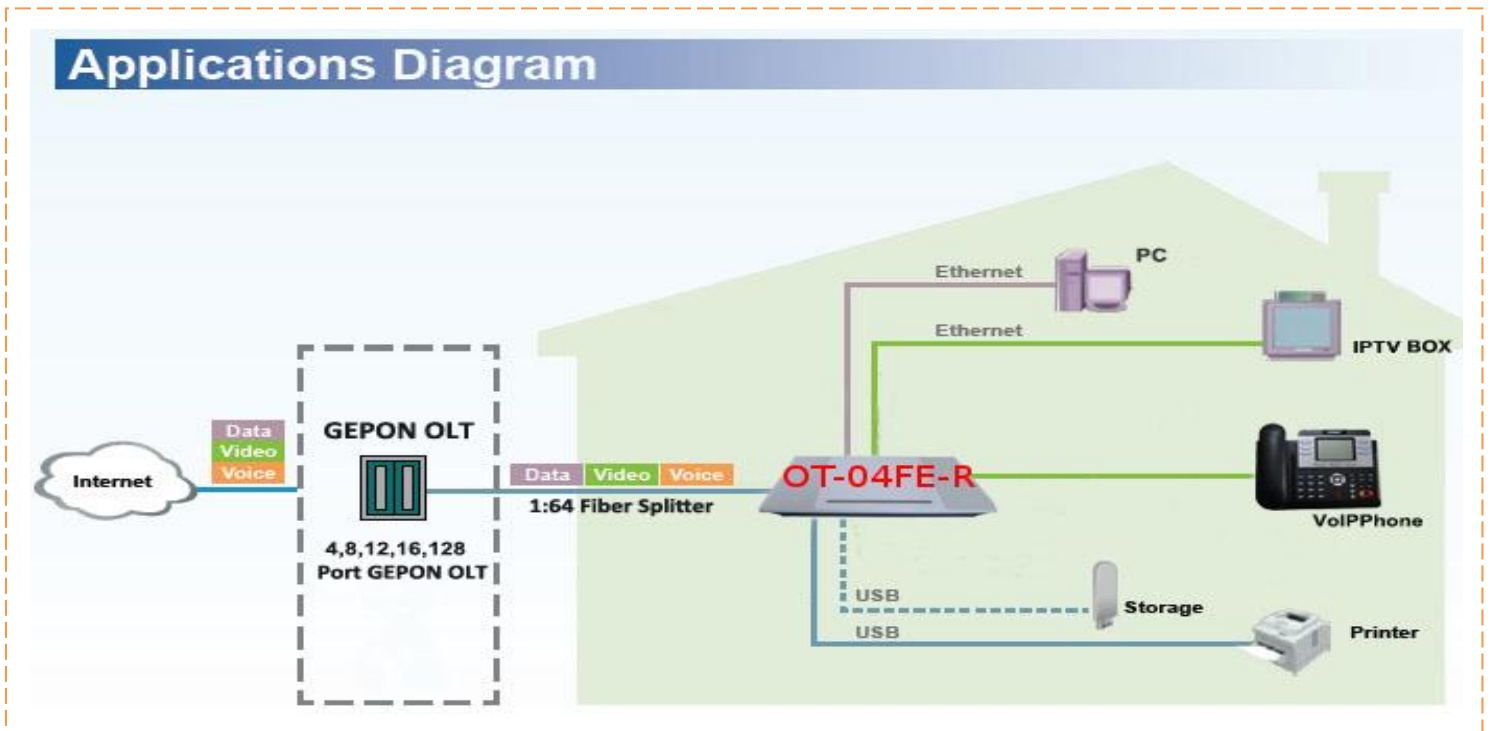
Specification of Ports:

- Uplink Port: 1.25Gbps Gigabit EPON SC Port * 1
- Ethernet Port: 4 Port 10/100Base-Tx
- Host: 1 USB port
- Power Jack * 1
- On/Off Switch Button * 1
- Reset Button *1



NMS Software Features:

- Support OAM management based on IEEE802.3ah standard
- Support IEEE802.1Q VLAN, Port Based VLAN, (configurable in NMS)
- Support IEEE802.1P QOS, TOS, COS
- Support IEEE802.1d Spanning Tree
- Support MAC addresses limitation, (configurable in NMS)
- Support IGMP Snooping for multicast (configurable in NMS)
- Support IEEE802.3X full duplex, half duplex backpressure flow control
- Support bandwidth control



Specifications:

Star Topology

1 Gepon SC port, 1.25Gbps

1.25Gbps

Up to 20Km

4 Port 10/100Base-Tx LAN

Link, activity, Full/half duplex, speed, and power on diagnostic function

10Base-Tx: UTP category 3, 4,5, up to 100m

100Base-Tx: UTP category 5, up to 100m

8.3μm, 8.7μm, 9μm and 10μm single mode fiber cable

AC 96-260V, DC 12V, 1.0A, External Power Supply

	Temperature	Humidity
Working	0°C - 45°C	10% - 90%
Standby	-40°C - 70°C	5% - 90% RH